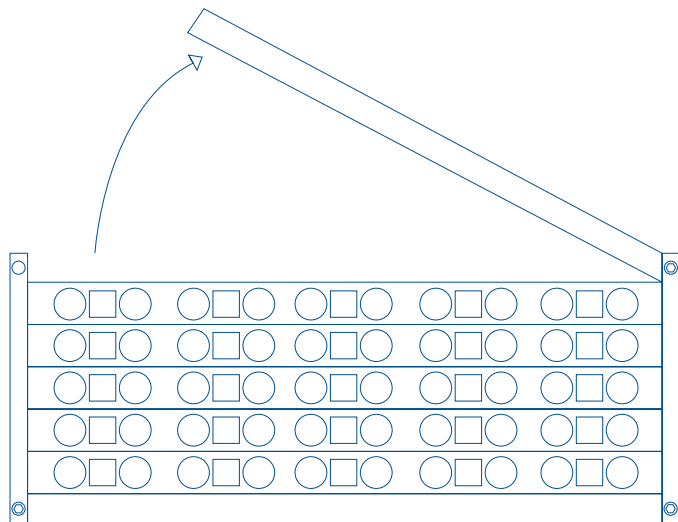
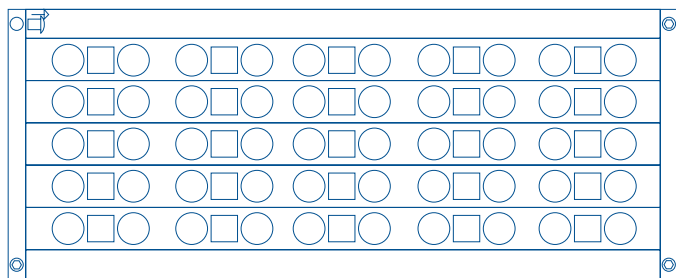
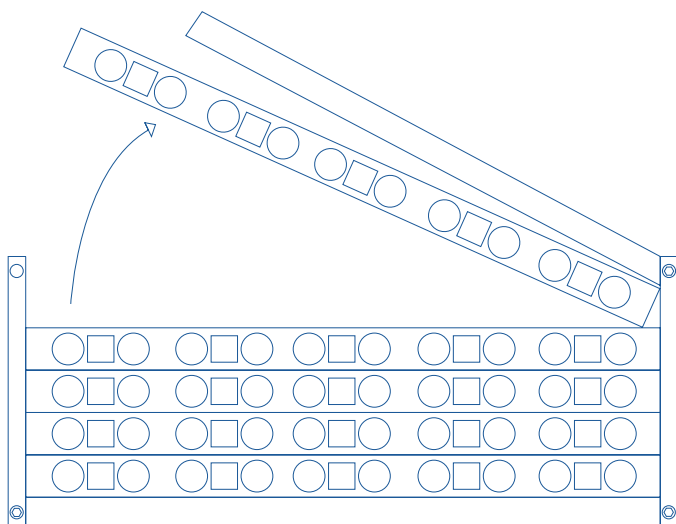


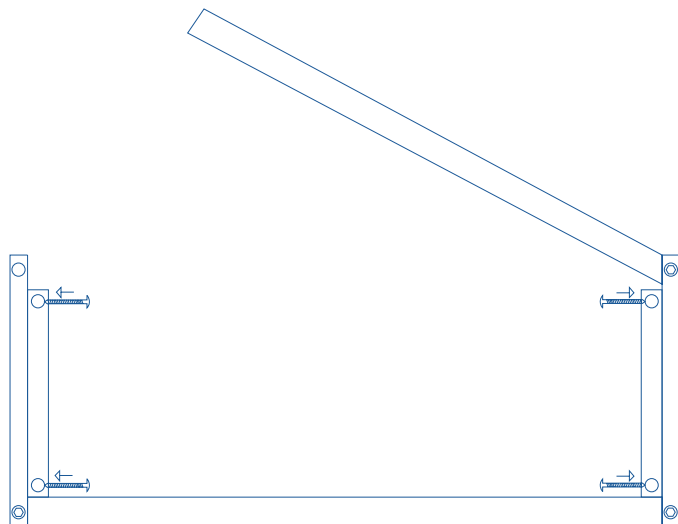
1. With the Allen key undo one of the top bolts in the keyboard and remove.



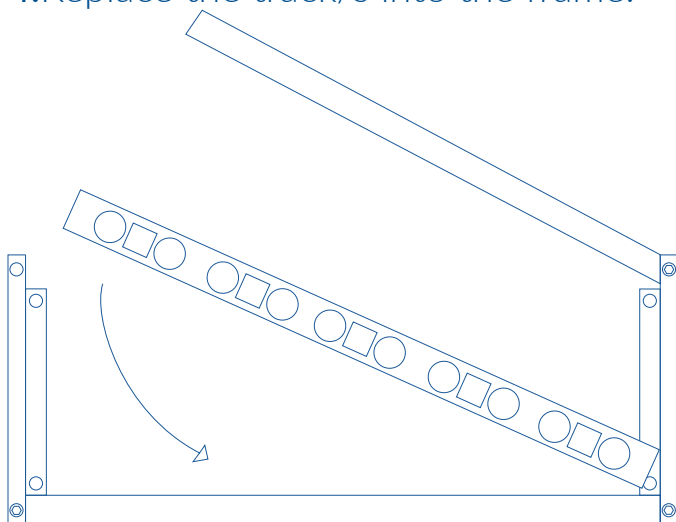
2. Slide out one or more of the numbered tracks in the board to gain access to the holes in the back of the frame.



3. Screw the frame to the wall ensuring the frame is aligned correctly.



4. Replace the track/s into the frame.



5. With the Allen key, replace the bolt into the frame and tighten.

